

***martin***®

***Martin***® ***Carryback***  
***Capture System***



# Important

MARTIN ENGINEERING HEREBY DISCLAIMS ANY LIABILITY FOR: DAMAGE DUE TO CONTAMINATION OF THE MATERIAL; USER'S FAILURE TO INSPECT, MAINTAIN AND TAKE REASONABLE CARE OF THE EQUIPMENT; INJURIES OR DAMAGE RESULTING FROM USE OR APPLICATION OF THIS PRODUCT CONTRARY TO INSTRUCTIONS AND SPECIFICATIONS CONTAINED HEREIN. MARTIN ENGINEERING'S LIABILITY SHALL BE LIMITED TO REPAIR OR REPLACEMENT OF EQUIPMENT SHOWN TO BE DEFECTIVE.

Observe all safety rules given herein along with owner and Government standards and regulations. Know and understand lockout/tagout procedures as defined by American National Standards Institute (ANSI) z244.1-1982, *American National Standard for Personnel Protection - Lockout/Tagout of Energy Sources - Minimum Safety Requirements* and Occupational Safety and Health Administration (OSHA) Federal Register, Part IV, 29 CFR Part 1910, *Control of Hazardous Energy Source (Lockout/Tagout); Final Rule*.

The following symbols may be used in this manual:



**Danger:** Immediate hazards that will result in severe personal injury or death.



**Warning:** Hazards or unsafe practices that could result in personal injury.



**Caution:** Hazards or unsafe practices that could result in product or property damages.



**Important:** Instructions that must be followed to ensure proper installation/operation of equipment.



**Note:** General statements to assist the reader.

# Table of Contents

---

Section	Page
List of Figures .....	ii
List of Tables .....	ii
Introduction .....	1
General .....	1
References .....	1
Safety .....	1
Before Installing Scavenger Conveyor .....	3
Installing Scavenger Conveyor .....	4
Locating scavenger conveyor .....	4
Assembling scavenger conveyor sections .....	5
Mounting to conveyor structure .....	6
Mounting on flat surface .....	7
Installing control console .....	7
Connecting hydraulic hoses .....	8
Installing proximity switches .....	9
Connecting power supply .....	10
Manual operation .....	11
Automatic operation .....	11
Adjusting timer settings .....	11
Operating Touchscreen .....	12
Cycle Timer .....	12
Faults .....	13
Set Up .....	14
After Installing Scavenger Conveyor .....	15
Weekly Maintenance .....	16
Troubleshooting .....	17
Part Numbers .....	19

## List of Figures

---

<b>Figure</b>	<b>Title</b>	<b>Page</b>
1	Assembling Scavenger Conveyor Sections . . . . .	5
2	Installing Scavenger Conveyor on Conveyor Structure . . . . .	6
3	Installing Scavenger Conveyor on Flat Surface . . . . .	7
4	Installing Hydraulic Hoses . . . . .	8
5	Installing Proximity Switches . . . . .	9
6	Connecting Power Supply . . . . .	10
7	Control Panel . . . . .	11
8	Martin® Carryback Capture System, P/N CCS-XXXXXXX . . . . .	19
9	Martin® Carryback Capture System Power Section, P/N DR-001000-XX . . . . .	20
10	Martin® Carryback Capture System Carrying Section, P/N DR-002000-XX . . . . .	22
11	Martin® Carryback Capture System Discharge Section, P/N DR-002500-XX . . . . .	24
12	Martin® Carryback Capture System Power Unit, P/N DR-003000-XXX-C . . . . .	26
13	Martin® Carryback Capture System Control Panel, P/N DR-003154-01 . . . . .	27
14	Electrical Shock Warning Label, P/N 30969 . . . . .	28
15	Hydraulic Fluid Warning Label, P/N 35237 . . . . .	28
16	Pinch Point Warning Label, P/N 30528 . . . . .	28

## List of Tables

---

<b>Table</b>	<b>Title</b>	<b>Page</b>
I	Part Numbers and Quantities for Martin® Carryback Capture System . . . . .	19
II	Part Numbers and Quantities for Martin® Carryback Capture System Carrying Section. . . . .	23
III	Part Numbers and Quantities for Martin® Carryback Capture System Discharge Section. . . . .	25

# Introduction

---

## General

The Martin® Carryback Capture System is designed to return carryback from secondary and tertiary cleaners to the main cargo stream. Carryback from the secondary and tertiary cleaners falls into the collecting trough and is pushed back into the material flow by steel cleaning blades.

## References

The following documents are referenced in this manual:

- American National Standards Institute (ANSI) z244.1-1982, *American National Standard for Personnel Protection - Lockout/Tagout of Energy Sources - Minimum Safety Requirements*, American National Standards Institute, Inc., 1430 Broadway, New York, NY 10018.
- Federal Register, Volume 54, Number 169, Part IV, 29 CFR Part 1910, *Control of Hazardous Energy Source (Lockout/Tagout); Final Rule*, Department of Labor, Occupational Safety and Health Administration (OSHA), 32nd Floor, Room 3244, 230 South Dearborn Street, Chicago, IL 60604.

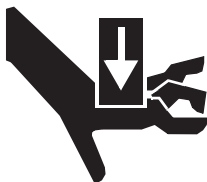
## Safety

All safety rules defined in the above documents and all owner/employer safety rules must be strictly followed when working on the belt cleaner.



### **▲ DANGER**

**Do not touch or go near the conveyor belt or conveyor accessories when the belt is running. Your body or clothing can get caught and you can be pulled into the conveyor, resulting in severe injury or death.**



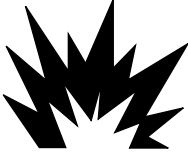
### **▲ DANGER**

**Do not touch or go near the scavenger conveyor when it is operating. When in operation scavenger conveyor produces multiple pinch points that could result in serious injury or death.**



### **▲ DANGER**

**Before installing, servicing, or adjusting the conveyor equipment, turn off and lock out/tag out all energy sources to the conveyor and conveyor accessories according to ANSI standards. Failure to do so could result in serious injury or death.**

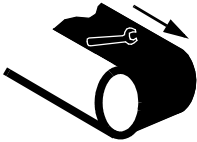


**⚠ DANGER**

If this equipment will be installed in an enclosed area, test the gas level or dust content before using a cutting torch or welding. Using a torch or welding in an area with gas or dust may cause an explosion resulting in serious injury or death.

**⚠ WARNING**

Before using a cutting torch or welding the chute wall, cover the conveyor belt with a fire retardant cover. Failure to do so can allow the belt to catch fire.



**⚠ WARNING**

Remove all tools from the installation area and conveyor belt before turning on the conveyor. Failure to do so can cause serious injury to personnel or damage to the belt and conveyor.

**⚠ WARNING**

Hydraulic oil under pressure can penetrate skin and result in injection poisoning. Special medical treatment is required for fluid injection injuries. If oil penetrates skin, see a doctor trained in fluid injection medicine immediately.

# Before Installing Scavenger Conveyor

## IMPORTANT

The delivery service is responsible for damage occurring in transit. Martin Engineering CANNOT enter claims for damages. Contact your transportation agent for more information.

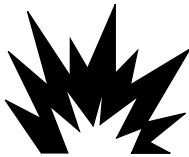
1. Inspect shipping container for damage. Report damage to delivery service immediately and fill out delivery service's claim form. Keep any damaged goods subject to examination.
2. Remove Martin® Carryback Capture System from shipping container.
3. If anything is missing contact Martin Engineering or a representative.



## WARNING

Before installing equipment, turn off and lock out/ tag out all energy sources to the conveyor and conveyor accessories according to ANSI standards. Failure to do so could result in serious injury or death.

4. Turn off and lock out/tag out energy source according to ANSI standards (see "References").



## DANGER

If this equipment will be installed in an enclosed area, test the gas level or dust content before using a cutting torch or welding. Using a torch or welding in an area with gas or dust may cause an explosion resulting in serious injury or death.

5. If using a cutting torch or welding, test atmosphere for gas level or dust content. Cover conveyor belt with fire retardant cover.

# Installing Scavenger Conveyor

---

## *Locating scavenger conveyor*

### **IMPORTANT**

Installation methods shown in this manual apply to the most common applications and may not suit your application. Contact Martin Engineering or a representative before installing Martin® Carryback Capture System to determine appropriate mounting location and method for your application.

### **IMPORTANT**

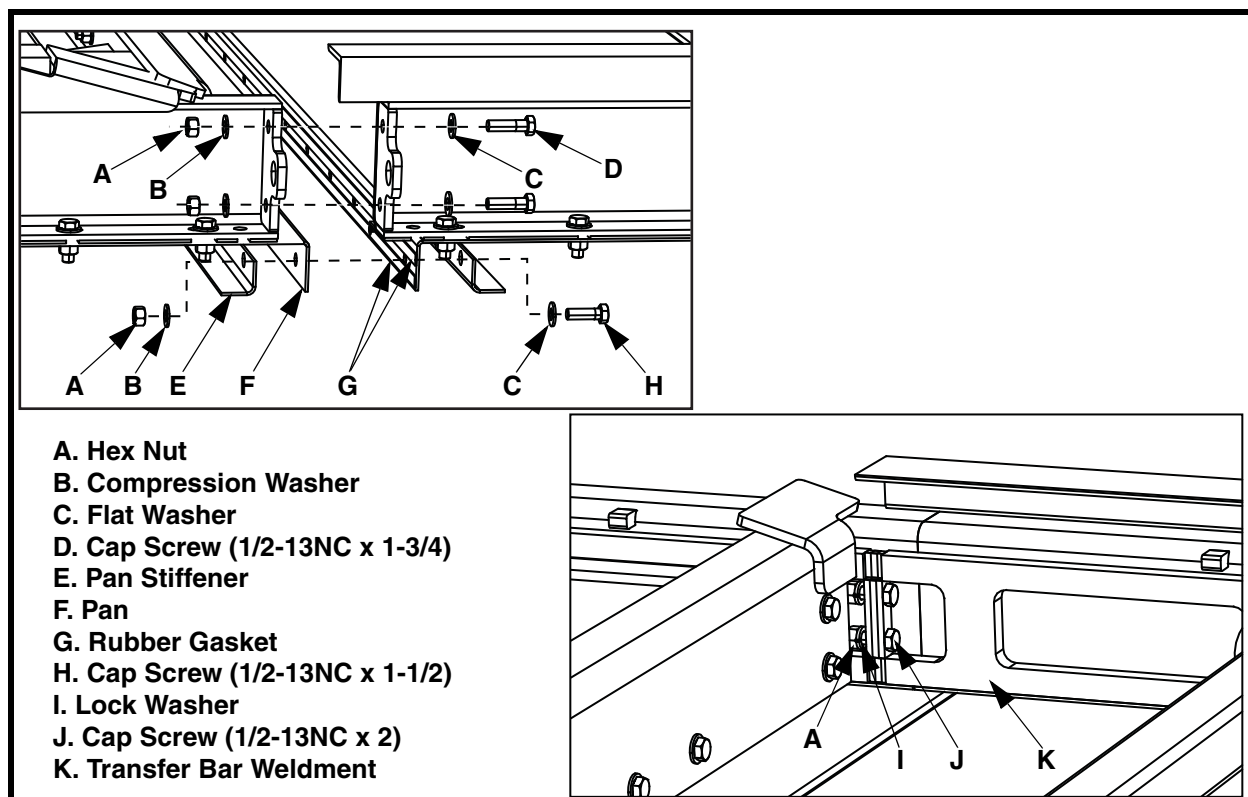
Calculate weight of Martin® Carryback Capture System and live load of material prior to installation to determine support needed per the application (See Appendix). Based on the calculated weight of the scavenger conveyor, live load of material, and conveyor location select the best available field resources and methods to install scavenger conveyor.

### **IMPORTANT**

Conveyor guarding may be required depending upon the application and location of scavenger conveyor.

An emergency stop may be required depending upon the application and location of scavenger conveyor.

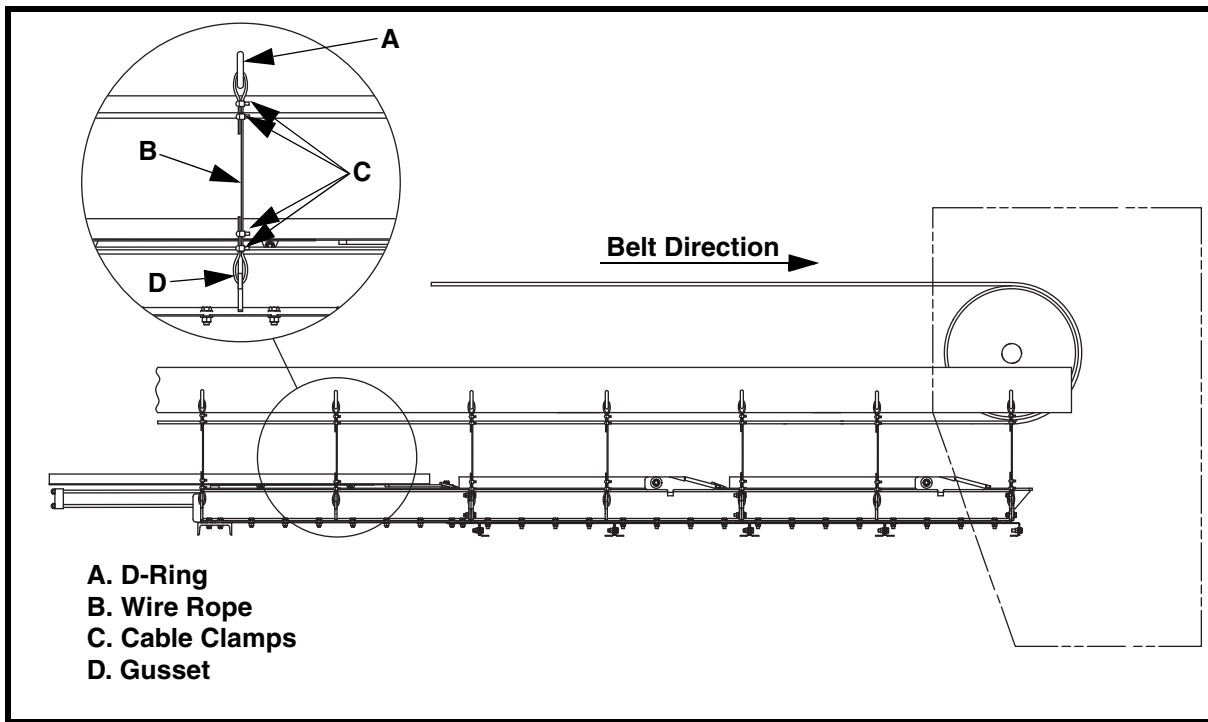




**Figure 1. Assembling Scavenger Conveyor Sections**

***Assembling scavenger conveyor sections***

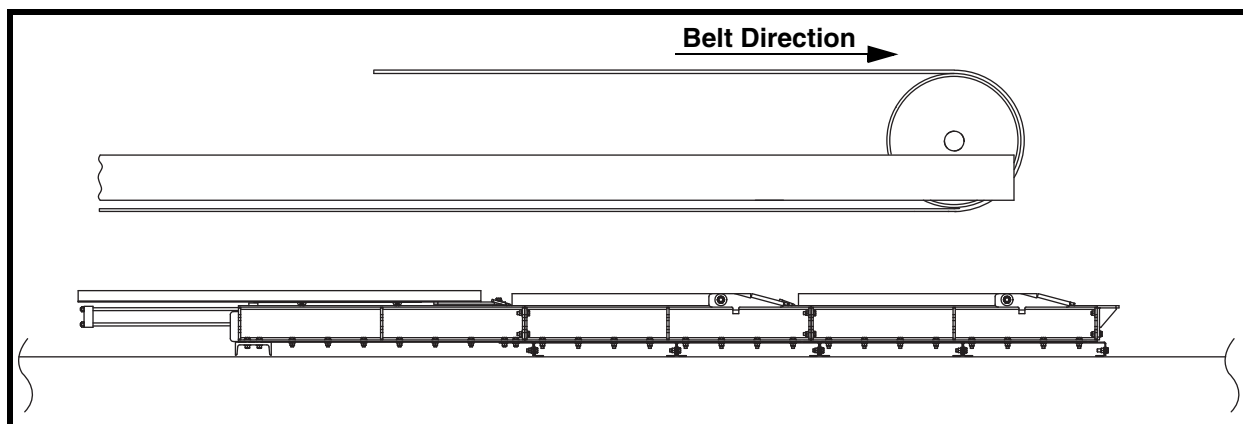
1. Apply rubber gaskets (G) to pan (F) above and below bolt holes on the seam.
2. Align sections that are to be assembled together.
3. Attach sections to each other using cap screws (D), washers (B and C), and nuts (A). Repeat procedure on opposite side.
4. Install pan stiffeners (E) to pan (F) using cap screws (H), washers (B and C), and nuts (A).
5. Attach transfer bar weldments (K) to each other using cap screws (J), washers (I), and nuts (A). Repeat procedure on opposite side.
6. Repeat steps 1–5 for remaining sections.
7. Make sure all pivot ramps move freely.



**Figure 2. Installing Scavenger Conveyor on Conveyor Structure**

***Mounting to conveyor structure***

1. Position and support scavenger conveyor under belt conveyor structure.
2. Scavenger conveyor should extend into chute far enough to return carryback to material flow.
3. Weld D-ring (A) onto stringer or conveyor structure with 1/4-in. (6-mm) field weld.
4. Insert wire rope (B) through D-ring, making a 3-in. (76-mm) loop.
5. Clamp wire rope with one cable clamp (C) as close to loop as possible. Place another cable clamp 1-3/4 in. (44 mm) from first clamp.
6. Leave at least 1 in. (25 mm) of wire rope on dead end.
7. Gradually tighten nuts alternately and evenly to 15 ft-lbs.
8. Insert other end of wire rope (B) through hole in gusset (D), making a 3-in. (76-mm) loop.
9. Pull wire rope taut.
10. Clamp wire rope with one cable clamp (C) as close to loop as possible. Place another cable clamp 1-3/4 in. (44 mm) from first clamp.
11. Leave at least 1 in. (25 mm) of wire rope on dead end.
12. Gradually tighten nuts alternately and evenly to 15 ft-lbs.
13. Repeat steps 3–12 on remaining gussets on both sides of scavenger conveyor.



**Figure 3. Installing Scavenger Conveyor on Flat Surface**

***Mounting on flat surface***

1. Scavenger conveyor can be mounted to a firm level surface, such as concrete, below the conveyor.
2. Position scavenger conveyor under conveyor with discharge end far enough into chute to return carryback to material flow.
3. Anchor scavenger conveyor to surface using best available field resources and methods to ensure the scavenger conveyor is properly secured.

***Installing control console***

**⚠ CAUTION**

**Do not mount control console in area subject to shock, vibration, temperatures exceeding 130°F (55°C), or explosion. Damage to controller circuitry could result.**

**IMPORTANT**

**Control console must be located within 30 feet of cylinder on scavenger conveyor. Mount control console so operator has a clear line of sight to scavenger conveyor.**

1. Locate and mount control console within 30 feet of cylinder on scavenger conveyor.
2. The system should be mounted on a flat surface with adequate support.
3. Fill oil reservoir with hydraulic oil supplied. (Add additional oil to reservoir once cylinder is fully extended.)

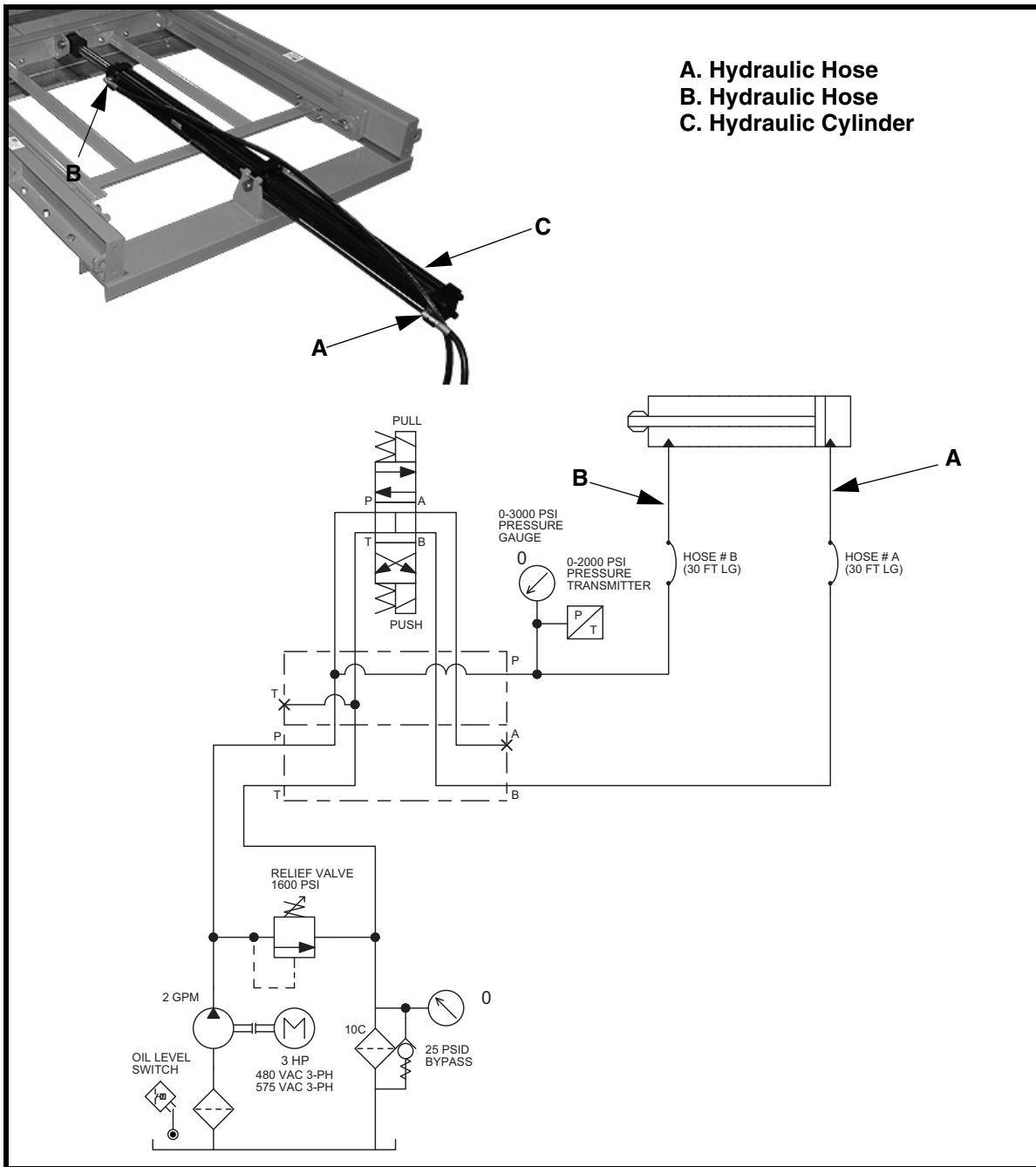


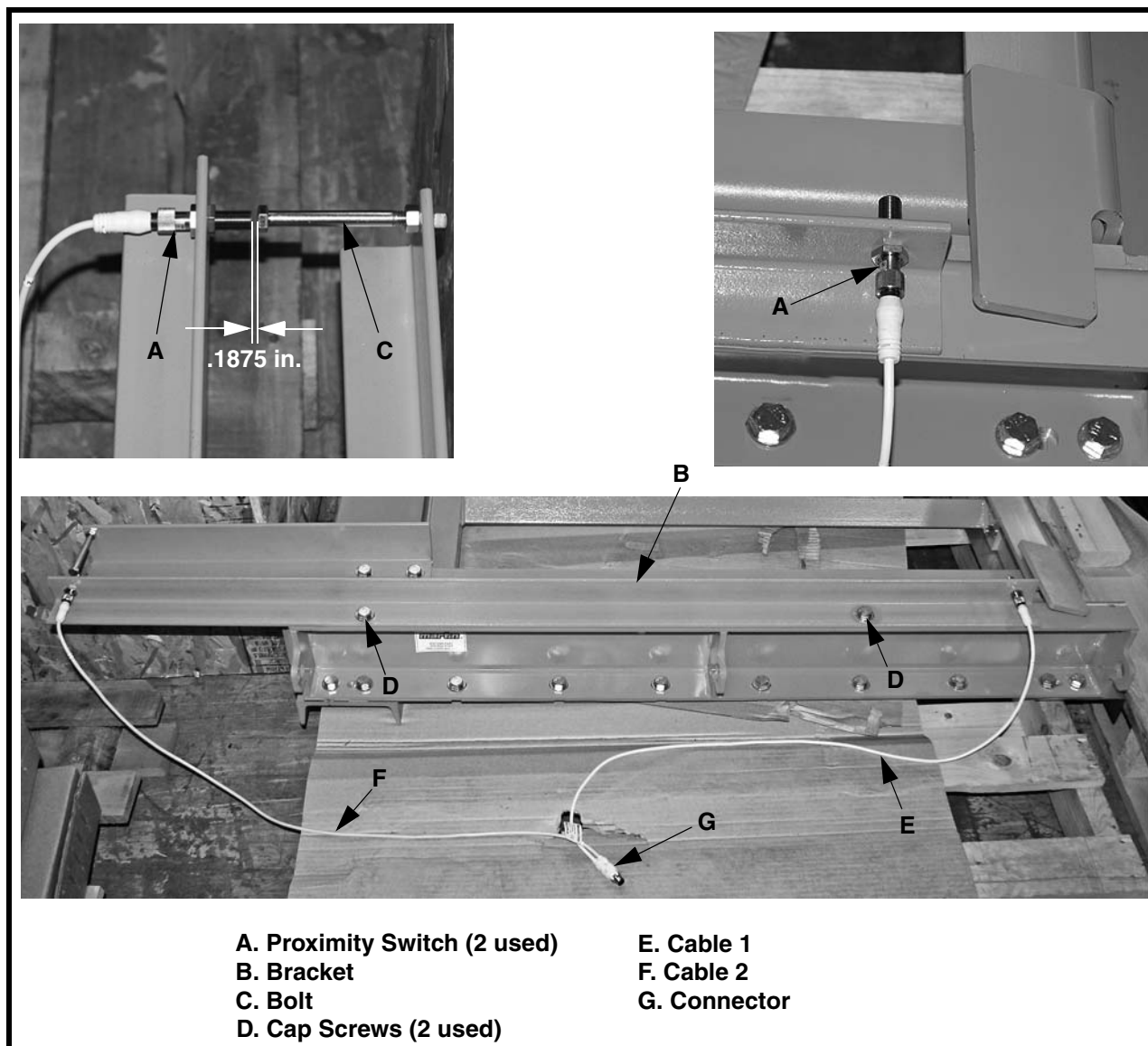
Figure 4. Installing Hydraulic Hoses

**WARNING**

**Connecting hydraulic hoses**

Hydraulic oil under pressure can penetrate skin and result in injection poisoning. Special medical treatment is required for fluid injection injuries. If oil penetrates skin, see a doctor trained in fluid injection medicine immediately.

1. Route hydraulic hoses (A and B) from control console to cylinder (C).
2. Attach hoses (A and B) to fittings on cylinder.
3. Make sure hoses are not subject to wear or pinching. Anchor hoses to prevent movement.

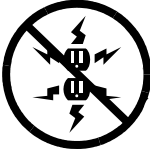


**Figure 5. Installing Proximity Switches**

***Installing proximity switches***

1. Fully retract cylinder.
2. Install proximity switches (A) on bracket (B).
3. Align proximity switch with head of bolt (C). It may be necessary to loosen cap screws (D) and move bracket (B).
4. Adjust proximity switches (A) so there is a 3/16 inch gap between the head of bolt (C) and each proximity switch. Extend and retract cylinder to ensure gap remains 3/16 inch.
5. Connect cable 1 (E) to proximity switch that activates when the cylinder is extended.
6. Connect cable 2 (F) to proximity switch that activates when the cylinder is retracted.
7. Route proximity switch cable from control console to connector (G).
8. Make sure cables are not subject to wear or pinching. Anchor cables to prevent movement.

*Connecting power supply*



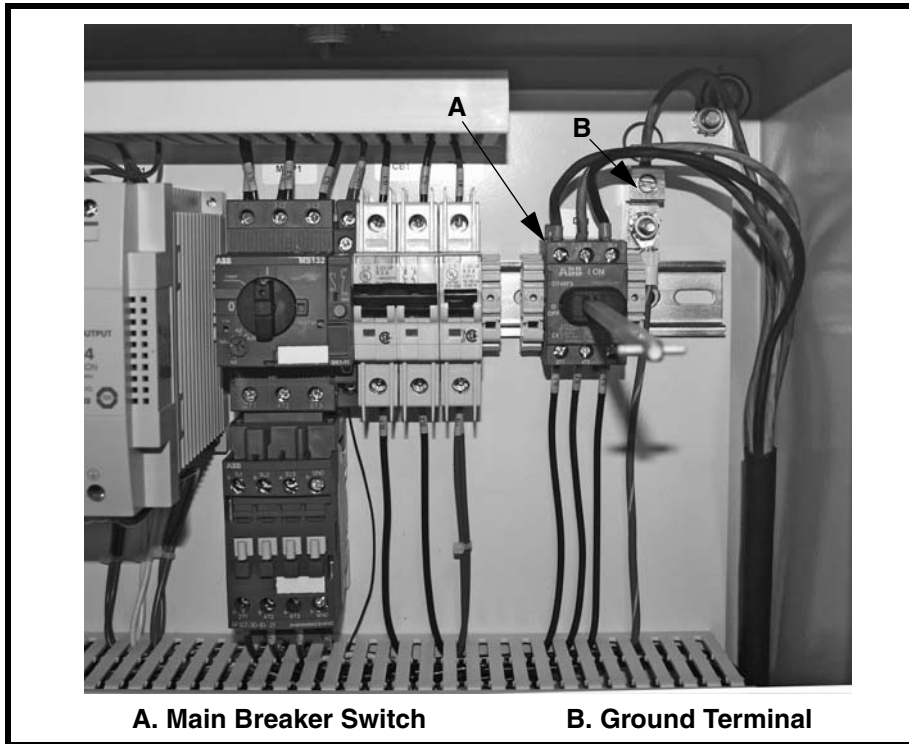
**⚠ WARNING**

All electrical work must be done to National Electrical Code (NEC) standards. See “References.”

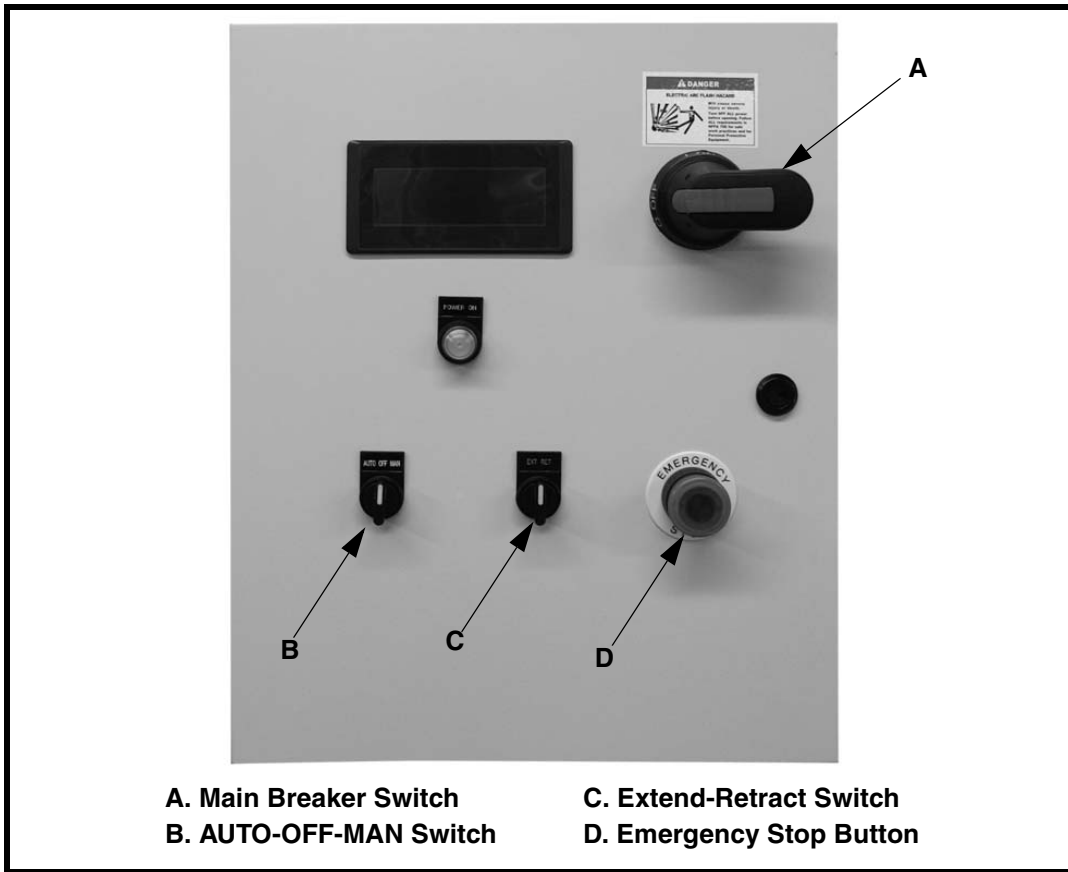
**⚠ WARNING**

Before making any connections, lock out/tag out electrical supply to control system according to ANSI standards (see “References”).

1. Route power wires into controller enclosure.
2. Power wires are connected to terminals on the main breaker switch (A). Connect ground wire to ground terminal (B) on terminal block.



**Figure 6. Connecting Power Supply**



**Figure 7. Control Panel**

**NOTE**

**Warning light on control console will turn on automatically before each cycle begins.**

***Manual operation***

1. Turn main breaker switch (A) to the ON position.
2. Turn AUTO-OFF-MAN switch (B) to the MAN position.
3. Turn and hold Extend-Retract switch (C) on front of cabinet to extend or retract cylinder.

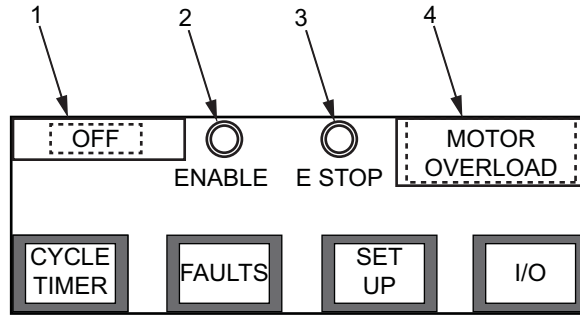
***Automatic operation***

1. Turn main breaker switch (A) to the ON position.
2. Turn AUTO-OFF-MAN switch (B) to the AUTO position.
3. Blade will push and pull automatically based on timer setting. Adjust timer setting to efficiently remove material.

***Adjusting timer settings***

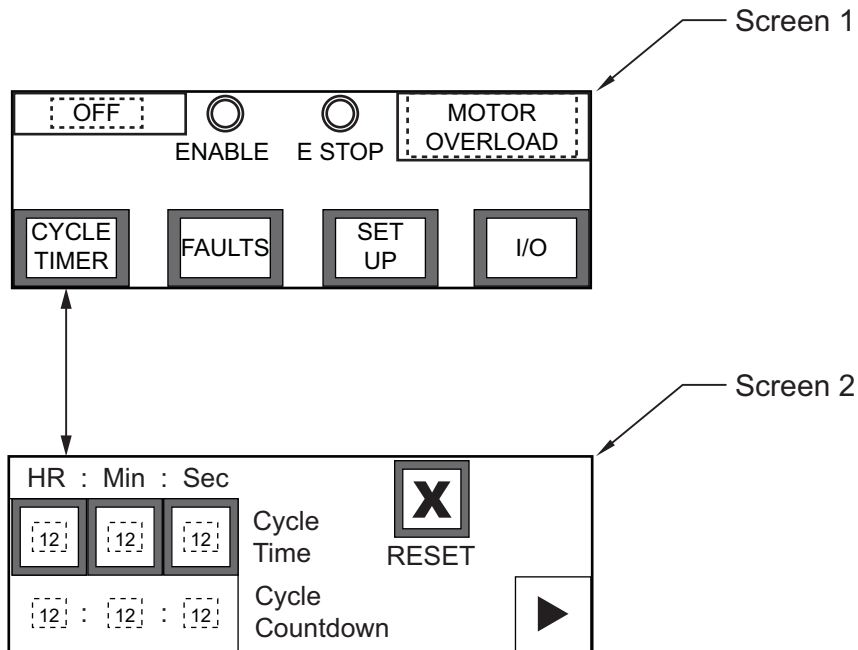
1. Turn AUTO-OFF-MAN switch (B) to the OFF position.
2. Determine desired time required between push cycles.
3. Press “Cycle Timer” on screen. Input the desired time.
4. Turn AUTO-OFF-MAN switch (B) to the AUTO position.
5. Verify timer settings are correct.

# Operating Touchscreen



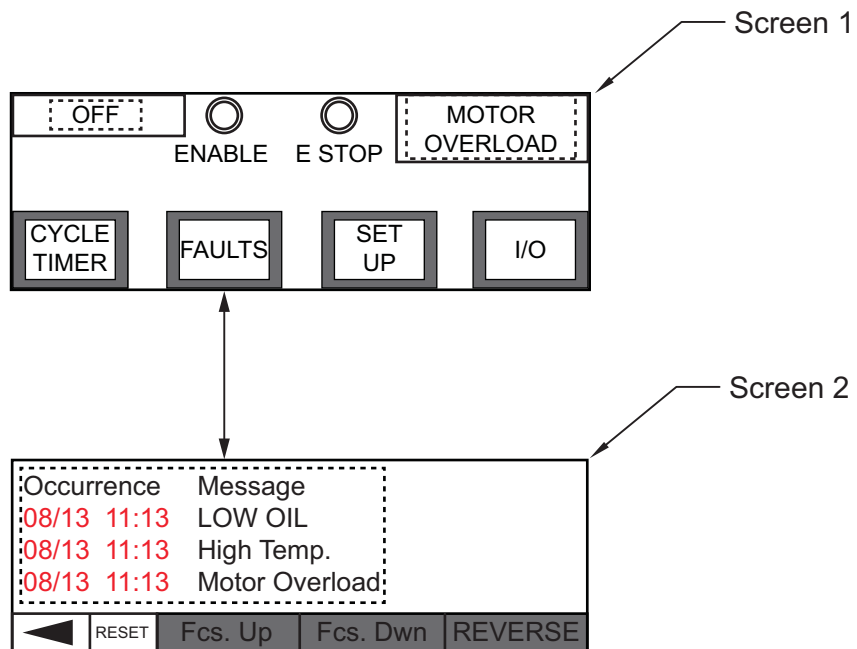
1	Status of AUTO/OFF/MANUAL switch
2	Status of Enable input. Input must be enabled to run.
3	Status of E Stop input. E Stop must be enabled to run.
4	Status window showing Faults. If there is a fault “RESET” will appear to reset faults.

## Cycle Timer



1. To change cycle time press “CYCLE TIMER.”
2. Input the desired time.
3. Press “RESET” to load the new time. If “RESET” is not pressed after changing the time values, the new time will load automatically on the next cycle.
4. Press forward arrow to return to main screen.

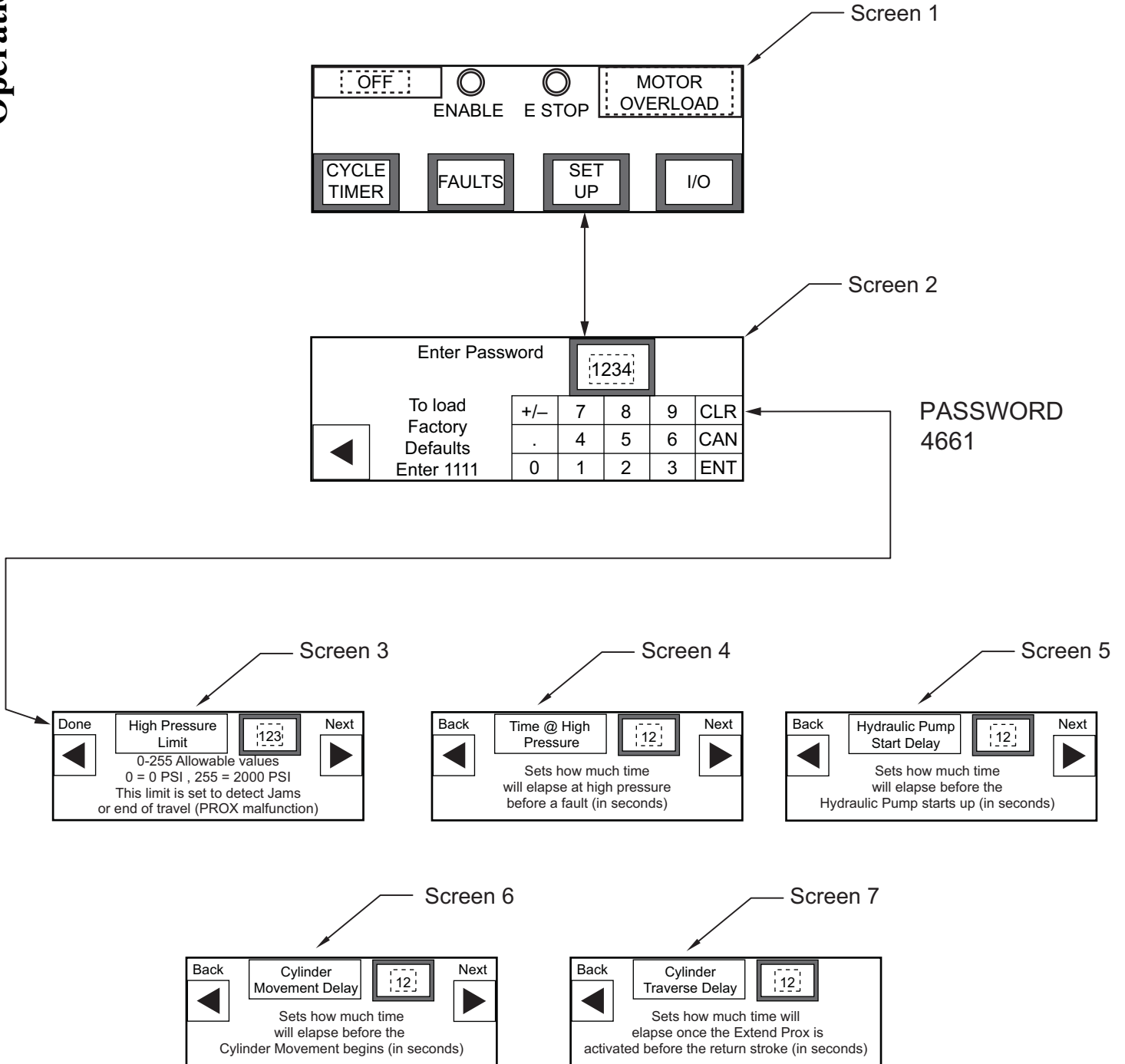




**Faults**

1. Press “FAULTS” to show all faults and when each fault occurred.
2. Press “REVERSE” to show the oldest fault.
3. Press “Fcs. Up” and “Fcs. Dwn” to scroll up and down in the fault log.
4. Press “RESET” to reset fault. If fault will not clear make sure fault condition is not still active.
5. Press back arrow to return to main screen.

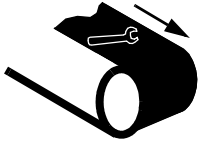
# Operation



## Set Up

1. Press “SET UP.”
2. Enter “1111” into keypad to load factory defaults or enter “4661” to gain access to the set-up screens.
3. Change values to desired settings.
4. Press back arrow to return to main screen.

# After Installing Scavenger Conveyor



## **⚠ WARNING**

Failure to remove tools from installation area and conveyor belt before turning on energy source can cause serious injury to personnel and damage to belt.



## **⚠ DANGER**

Do not touch or go near conveyor belt or conveyor accessories when conveyor belt is running. Body or clothing can get caught and pull body into conveyor belt, causing severe injury or death.

1. Turn on conveyor belt and scavenger conveyor for 1 hour.
2. Make sure scavenger conveyor is removing material efficiently.
3. Turn off scavenger conveyor and conveyor belt.



## **⚠ DANGER**

Before installing, servicing, or adjusting the conveyor system, turn off and lock out/tag out all energy sources to the conveyor and conveyor accessories according to ANSI standards. Failure to do so could result in serious injury or death.

4. If necessary adjust timer setting, so scavenger conveyor removes material more efficiently.
5. Make sure all fasteners are tight. Tighten if necessary.
6. If wear, material buildup, or some other problem exists, see “Troubleshooting.”

# Weekly Maintenance

## NOTE

Maintenance inspection should be performed no less than weekly. Some applications may require more frequent maintenance inspections.



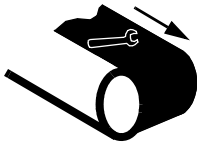
## ⚠ DANGER

Before installing, servicing, or adjusting the conveyor system, turn off and lock out/tag out all energy sources to the conveyor and conveyor accessories according to ANSI standards. Failure to do so could result in serious injury or death.

1. Make sure pivot ramps move freely.
2. Make sure scavenger conveyor is removing material efficiently. Adjust timer settings if necessary.
3. Make sure all fasteners are tight. Tighten if necessary.
4. Check hydraulic oil level. Add hydraulic oil if necessary.
5. Check hydraulic system for leaks. Repair if necessary.
6. Wipe all labels clean. If labels are not readable, contact Martin Engineering or a representative for replacements.
7. Remove equipment from service if there is any indication it is not functioning properly. Call Martin Engineering or a representative for assistance. Do NOT return equipment to operation until the cause of the problem has been identified and corrected.

## ⚠ WARNING

Failure to remove tools from installation area and conveyor belt before turning on energy source can cause serious injury to personnel and damage to belt.



8. Remove all tools from maintenance area.

## ⚠ DANGER

Do not touch or go near conveyor belt or conveyor accessories when conveyor belt is running. Body or clothing can get caught and pull body into conveyor belt, causing severe injury or death.



9. Start conveyor belt and scavenger conveyor.

# Troubleshooting



**⚠ DANGER**

Before installing, servicing, or adjusting the conveyor system, turn off and lock out/tag out all energy sources to the conveyor and conveyor accessories according to ANSI standards. Failure to do so could result in serious injury or death.

Fault Code	Possible Causes	Corrective Action
Low Oil	Oil line ruptured and oil has drained.	Check lines and seals. Repair lines and refill oil reservoir.
	Not enough oil was put into the machine.	Fill oil reservoir.
Motor Overload	Pump is pumping against fixed pressure (dead heading).	Check for obstruction in the line or oil path. Clear obstruction in line.
		Plow may be wedged. Clear obstruction in plow path.
High Temp	Oil is circulating through the machine too quickly under pressure.	Increase the time between cycles.
	An external influence is heating the oil.	Check environment and remove heat source.
High Pressure	Pump is pumping against fixed pressure (dead heading).	Check for obstruction in the line or oil path. Clear obstruction in line.
		Plow may be wedged. Clear obstruction in plow path.
Low Pressure	Motor is running at too low of power.	Check electrical connections and motor rotation.
	Oil line ruptured and oil has drained.	Check lines and seals. Repair lines and refill oil reservoir.
	Not enough oil was put into the machine.	Fill oil reservoir.

# Troubleshooting

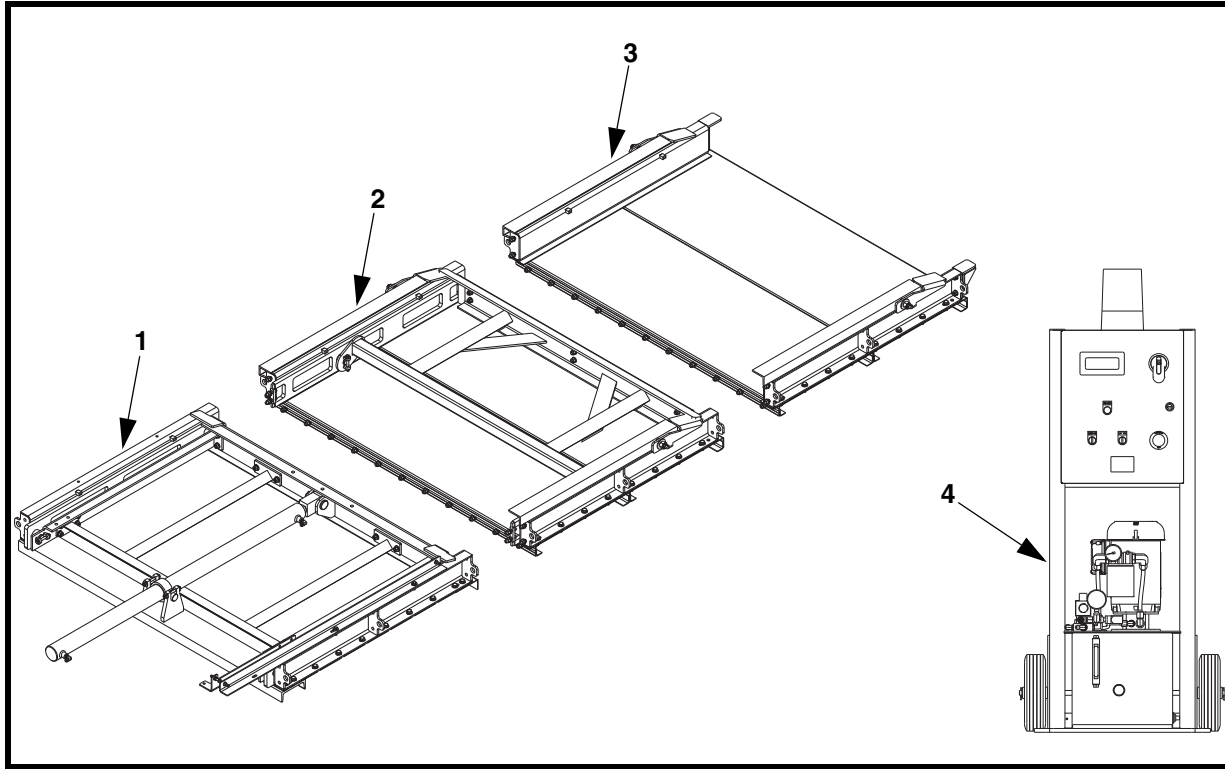
Symptom	Corrective Action
Hydraulic pump will not turn on.	Check power source. Check hydraulic oil level.
Excessive vibration.	Make sure fasteners are tight.
Unusual wear or damage to blades.	Check for entrapped material and remove if necessary.
Cylinder does not fully retract.	Check for entrapped material.
Cylinder extends but does not retract.	Check proximity switches.

## NOTE

Conveyor equipment such as scavenger conveyors are subject to a wide variety of bulk materials characteristics and often have to perform under extreme operating or environmental conditions. It is not possible to predict all circumstances that may require troubleshooting. Contact Martin Engineering or a representative if you are experiencing problems other than those listed in the “Troubleshooting” chart above. Do not return the equipment to operation until the problem has been identified and corrected.

# Part Numbers

This section provides product names and corresponding part numbers for Martin® Carryback Capture System, P/N CCS-XXXXXXX and related equipment. Please reference part numbers when ordering parts:



**Figure 8. Martin® Carryback Capture System, P/N CCS-XXXXXXX\***

Item	Description	Part No.	Qty.
1	Power Section	Figure 9	1
2	Carrying Section	Figure 10	Tbl I
3	End Section	Figure 11	1
4	Power Unit	Figure 12	1

\*The first XX indicates belt width. The next XX indicates length of carrying section in feet.  
The last XXX indicates voltage for control panel.

**Table I. Part Numbers and Quantities for Martin® Carryback Capture System**

Part No.	Item 2 Qty
CCS-XX08XXX	1
CCS-XX12XXX	2
CCS-XX16XXX	3
CCS-XX20XXX	4
CCS-XX24XXX	5

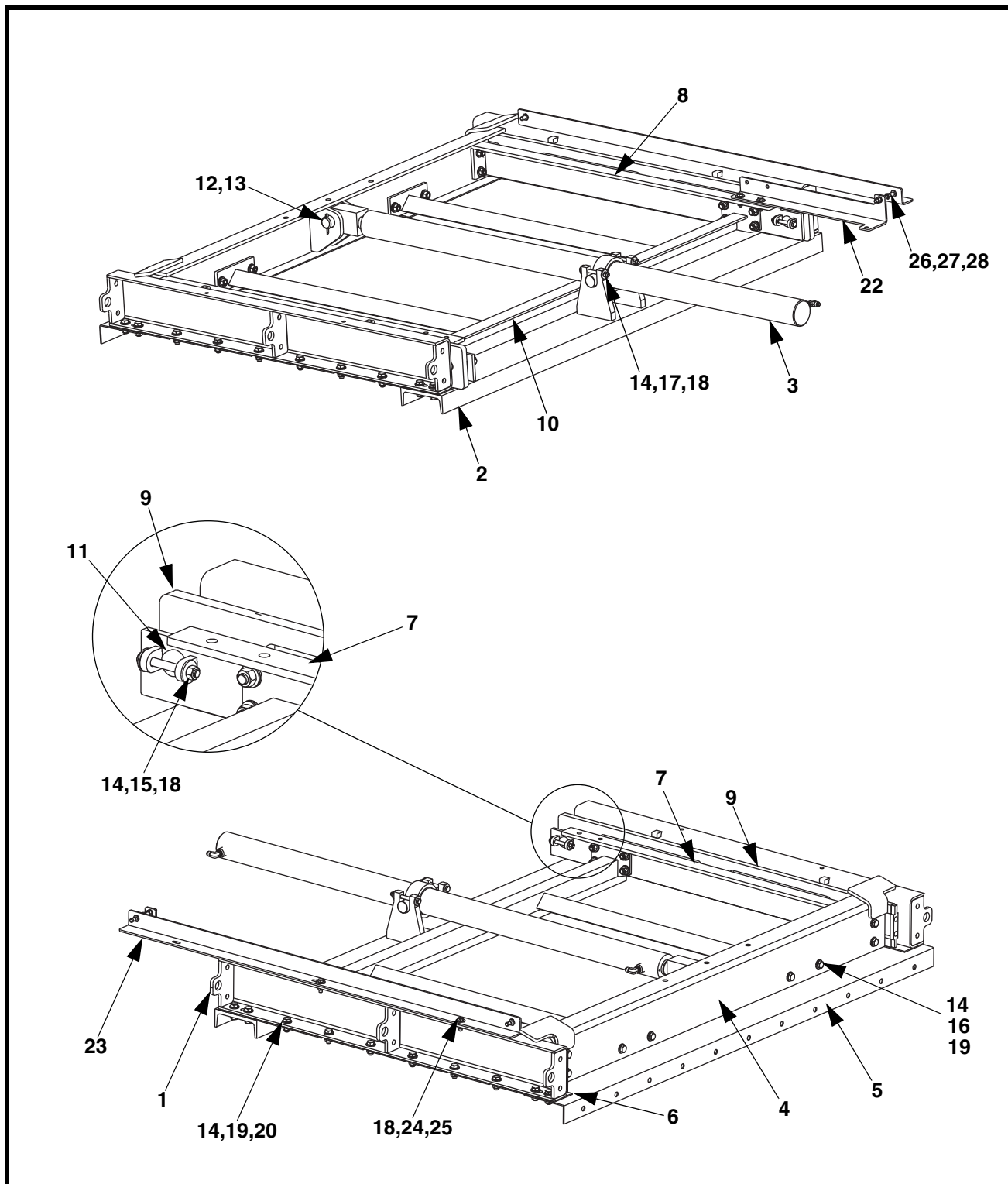


Figure 9. Martin® Carryback Capture System Power Section, P/N DR-001000-XX\*



Item	Description	Part No.	Qty.
1	Support Frame Weldment	DR-001010	2
2	Cylinder Pivot Weldment	DR-001020-XX*	1
3	Cylinder Assembly	DR-001130	1
4	Blade Weldment	DR-001080-XX*	1
5	Pan Lip	DR-001050-XX*	1
6	Wear Plate	DR-001040	2
7	Side Arm Left Blade Weldment	DR-001060L	1
8	Side Arm Right Blade Weldment	DR-001060R	1
9	Transfer Bar Weldment	DR-001030	2
10	Blade Holder Weldment	DR-001070-XX*	1
11	Pin Clevis Dia. 1.00 x 2.00 ZP	DR-001100	2
12	Pin Clevis Dia. 1.38 x 4.00 ZP	DR-001110	1
13	Pin Cotter 1/4 x 2.00	37308	1
14	Washer Flat 1/2 Narrow ZP	31010	92
15	Screw HHC 3/8-16NC x 3 ZP	22176	2
16	Screw HHC 1/2-13NC x 1-1/2 ZP	11763	20
17	Screw HHC 3/8-16NC x 3-3/4 ZP	16098	2
18	Nut Hex 3/8-16NC ZP	11770	8
19	Nut Hex 1/2-13NC Grade 5 ZP	36739	36
20	Screw HHC 1/2-13NC x 1-1/4 ZP	13835	16
21 (NS)	Label Kit	38620	1
22	Sensor Angle Bracket	DR-001141	1
23	Sensor Angle Bracket	DR-001142	1
24	Screw HHC 3/8-16NC x 1-1/4 ZP	12215	4
25	Washer Flat 3/8 Wide ZP	18007	8
26	Screw HHC 3/8-16NC x 2 316 SS	37763	1
27	Washer Lock Helical Spring 3/8 ZP	11978	2
28	Nut Hex 3/8-16NC SS	16054	2

**Figure 9. Martin® Carryback Capture System Power Section, P/N DR-001000-XX\***

\*XX indicates belt width.

NS = Not Shown

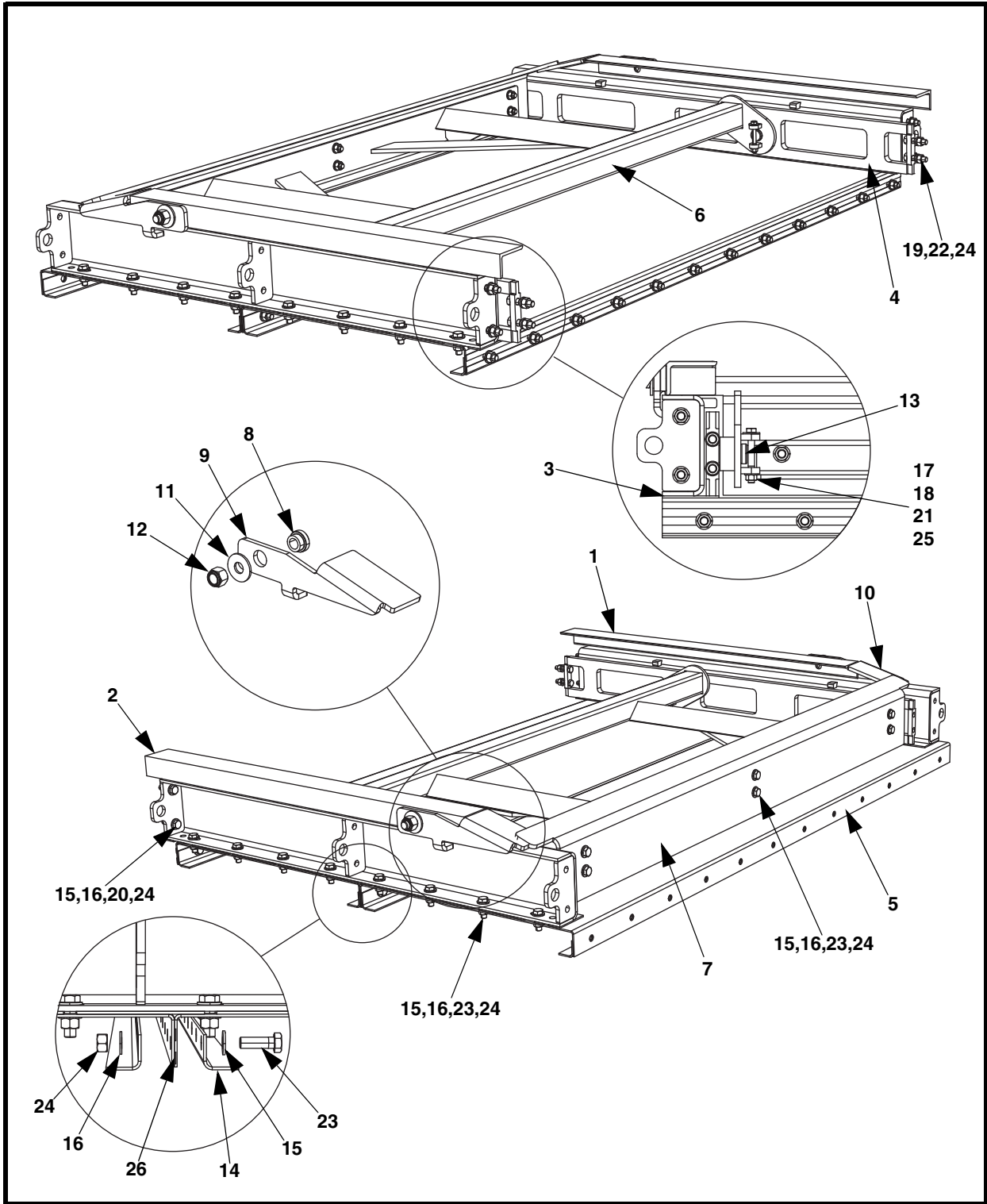


Figure 10. Martin® Carryback Capture System Carrying Section, P/N DR-002000-XX\*

Item	Description	Part No.	Qty.
1	Side Frame Left Weldment	DR-002010-L	1
2	Side Frame Right Weldment	DR-002010-R	1
3	Wear Plate	DR-001040	2
4	Transfer Bar Weldment	DR-002030	2
5	Pan	DR-002020-XX*	2
6	Blade Holder Weldment	DR-002050-XX*	1
7	Blade	DR-002040-XX*	1
8	Bushing	DR-002061	2
9	Pivot Ramp Left	DR-002060-R	1
10	Pivot Ramp Right	DR-002060-L	1
11	Washer Flat 3/4 Wide ZP	20164	2
12	Nut Hex Elastic Lock 3/4-10NC ZP	19132	2
13	Pin Clevis Dia. 1.00 x 2.00 ZP	DR-001100	2
14	Stiffener	DR-002021-XX*	4
15	Washer Flat 1/2 Narrow ZP	31010	Tbl II
16	Washer Compression 1/2	11750	Tbl II
17	Washer Flat 3/8 Wide ZP	18007	2
18	Washer Compression 3/8	11747	2
19	Washer Lock Helical Spring 1/2 ZP	17329	4
20	Screw HHC 1/2-13NC x 1-3/4 ZP	23478	4
21	Screw HHC 3/8-16NC x 3 ZP	22176	2
22	Screw HHC 1/2-13NC x 2 ZP	14196	4
23	Screw HHC 1/2-13NC x 1-1/2 ZP	11763	Tbl II
24	Nut Hex 1/2-13NC Grade 5 ZP	36739	Tbl II
25	Nut Hex 3/8-16NC ZP	11770	2
26	Rubber Strip Gasket	100876	Tbl II
27 (NS)	Label Kit	38620	1
28 (NS)	Bearing Flanged Sleeve SAE 841 Bronze	DR-002062	2

**Figure 10. Martin® Carryback Capture System Carrying Section, P/N DR-002000-XX\***

\*XX indicates belt width. NS = Not Shown

**Table II. Part Numbers and Quantities for Martin® Carryback Capture System Carrying Section**

Assy. Part No.	Items 15 & 16 Qty	Item 23 Qty	Item 24 Qty	Item 26 Qty (ft)	Weight (lbs)
DR-002000-24	36	32	40	10.33	341
DR-002000-30	38	34	42	12.33	366
DR-002000-36	40	36	44	14.33	372
DR-002000-42	42	38	46	16.33	393
DR-002000-48	44	40	48	18.33	413
DR-002000-54	46	42	50	20.33	434
DR-002000-60	48	44	52	22.33	455
DR-002000-66	50	46	54	24.33	476
DR-002000-72	52	48	56	26.33	496

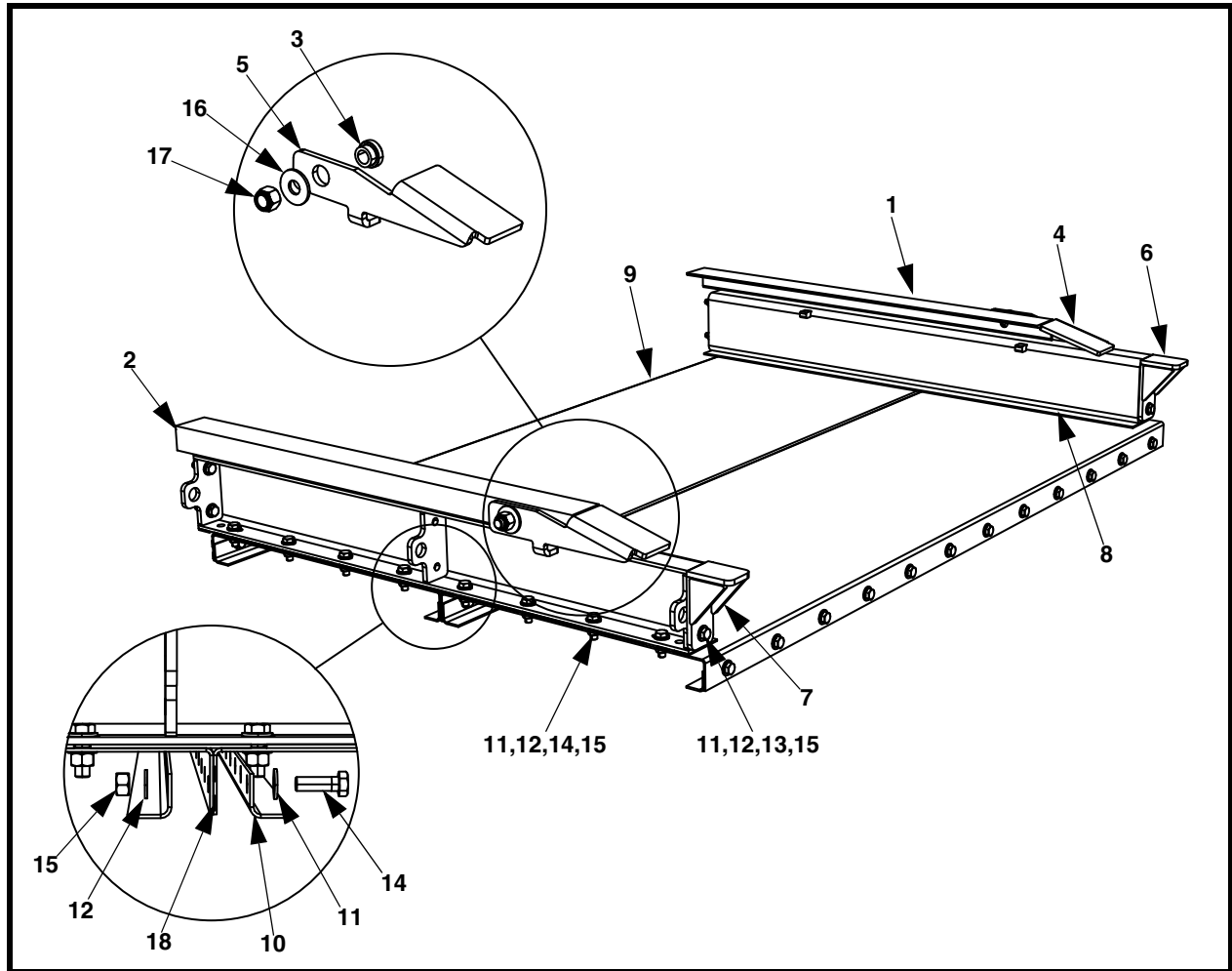


Figure 11. Martin® Carryback Capture System Discharge Section, P/N DR-002500-XX\*

Item	Description	Part No.	Qty.
1	Side Frame Left Weldment	DR-002010-L	1
2	Side Frame Right Weldment	DR-002010-R	1
3	Bushing	DR-002061	2
4	Pivot Ramp Left	DR-002060-L	1
5	Pivot Ramp Right	DR-002060-R	1
6	End Run Out Weldment	DR-002070-L	1
7	End Run Out Weldment	DR-002070-R	1
8	Wear Plate	DR-001040	2
9	Pan	DR-002020-XX*	2
10	Stiffener	DR-002021-XX*	4
11	Washer Flat 1/2 Narrow ZP	31010	Tbl III
12	Washer Compression 1/2	11750	Tbl III
13	Screw HHC 1/2-13NC x 1-3/4 ZP	23478	4
14	Screw HHC 1/2-13NC x 1-1/2 ZP	11763	Tbl III
15	Nut Hex 1/2-13NC Grade 5 ZP	36739	Tbl III
16	Washer Flat 3/4 Wide ZP	20164	2
17	Nut Hex Elastic Lock 3/4-10NC ZP	19132	2
18	Rubber Strip Gasket	100876	4
19 (NS)	Label Kit	38620	1
20 (NS)	Bearing Flanged Sleeve SAE 841 Bronze	DR-002062	2

**Figure 11. Martin® Carryback Capture System Discharge Section, P/N DR-002500-XX\***

\*XX indicates belt width.

NS = Not Shown

**Table III. Part Numbers and Quantities for Martin® Carryback Capture System Discharge Section**

Assy. Part No.	Item 11, 12, 14 Qty	Item 15 Qty	Item 18 Qty (ft)	Weight (lbs)
DR-002500-24	39	35	10.33	210
DR-002500-30	42	38	12.33	224
DR-002500-36	45	41	14.33	236
DR-002500-42	48	44	16.33	250
DR-002500-48	51	47	18.33	264
DR-002500-54	54	50	20.33	278
DR-002500-60	57	53	22.33	292
DR-002500-66	60	56	24.33	306
DR-002500-72	63	59	26.33	321

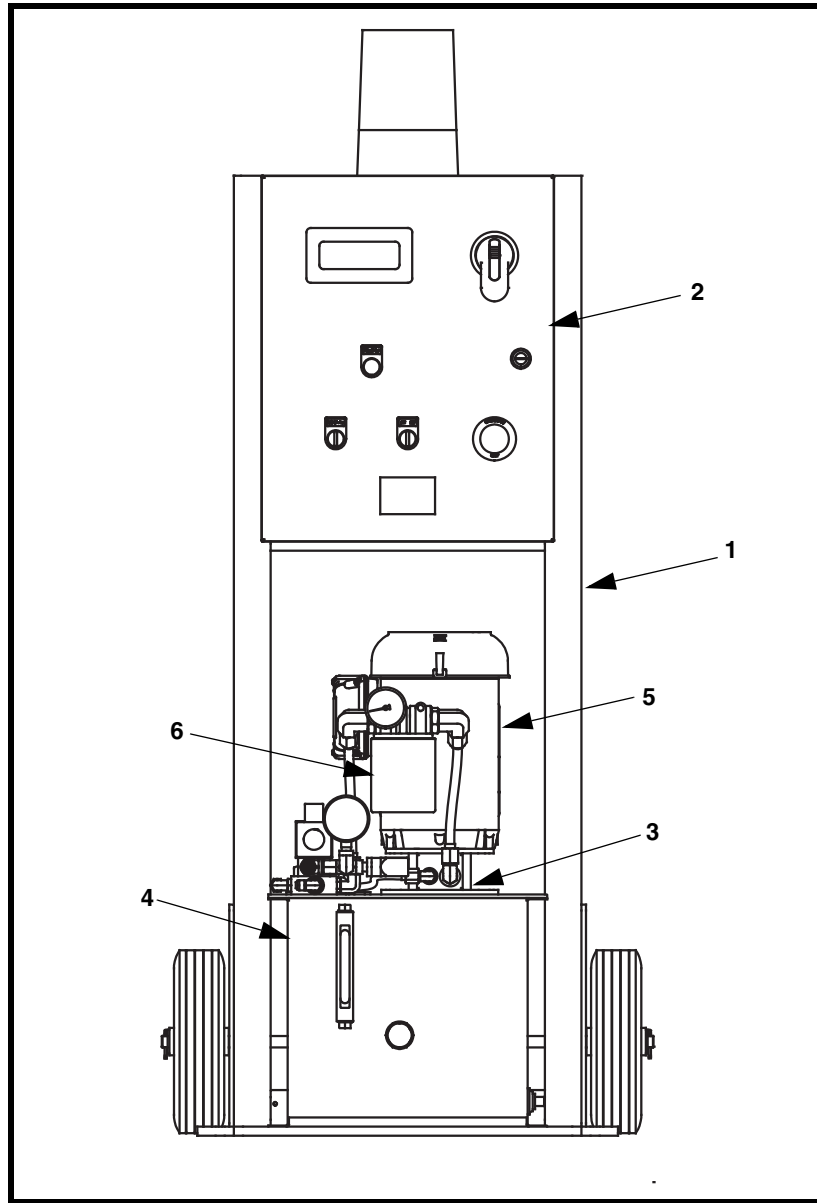
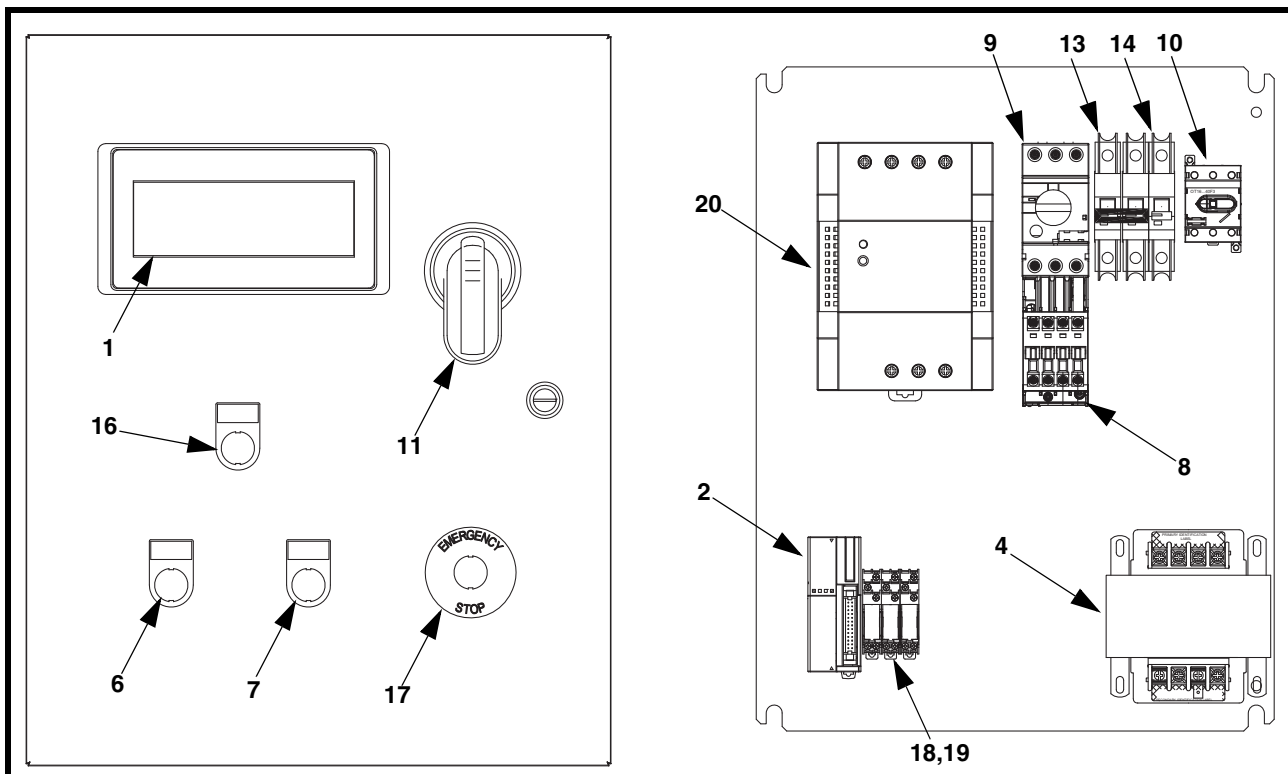


Figure 12. Martin® Carryback Capture System Power Unit, P/N DR-003000-XXX-C\*

Item	Description	Part No.	Qty.
1	Cart	39176	1
2	Control Panel	DR-003154-01	1
3	Pump	DR-003154-11	1
4	Oil Reservoir	DR-003154-12	1
5	Motor	DR-003154-XXX-24*	1
6	Hydraulic Oil Filter	DR-003154-31	1
7	Hydraulic Oil 5 Gallon Bucket	DR-003301	2

\*XXX indicates voltage (460V or 575V).



**Figure 13. Martin® Carryback Capture System Control Panel, P/N DR-003154-01**

Item	Description	Part No.
1	Screen	DR-003154-CP01
2	PLC	DR-003154-CP02
3 (NS)	Cable	DR-003154-CP03
4	Transformer	DR-003154-CP04
5 (NS)	Label	DR-003154-CP05
6	Selector Switch	DR-003154-CP06
7	Selector Switch	DR-003154-CP07
8	3-Pole Contactor	DR-003154-CP08
9	Manual Motor Starter	DR-003154-CP09
10	Disconnect Switch	DR-003154-CP10
11	Disconnect Switch Handle	DR-003154-CP11
12 (NS)	Disconnect Switch Shaft	DR-003154-CP12
13	Circuit Breaker	DR-003154-CP13
14	Circuit Breaker	DR-003154-CP14
15 (NS)	Proximity Switch	DR-003154-CP15
16	Pilot Light	DR-003154-CP16
17	Emergency Stop	DR-003154-CP17
18	Relay	DR-003154-CP18
19	Relay Socket	DR-003154-CP19
20	Power Supply	DR-003154-CP20
21 (NS)	Solenoid Valve Connector	DR-003154-CP21
22 (NS)	Proximity Switch Cable	DR-003154-CP22
23 (NS)	Proximity Switch "Y" Connector	DR-003154-CP23

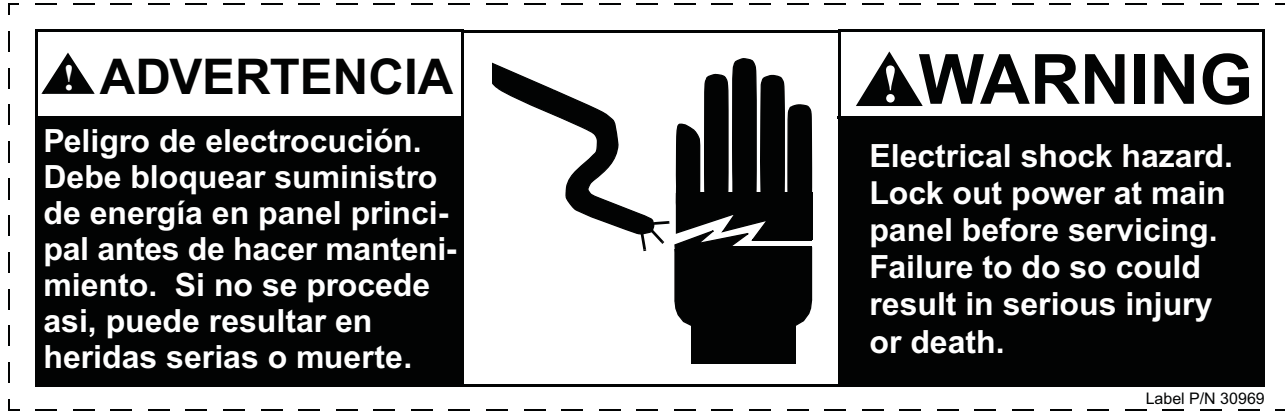


Figure 14. Electrical Shock Warning Label, P/N 30969

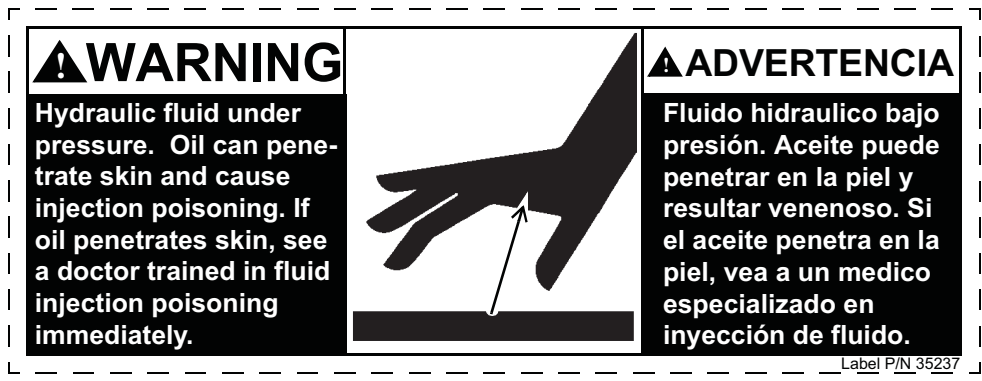


Figure 15. Hydraulic Fluid Warning Label, P/N 35237



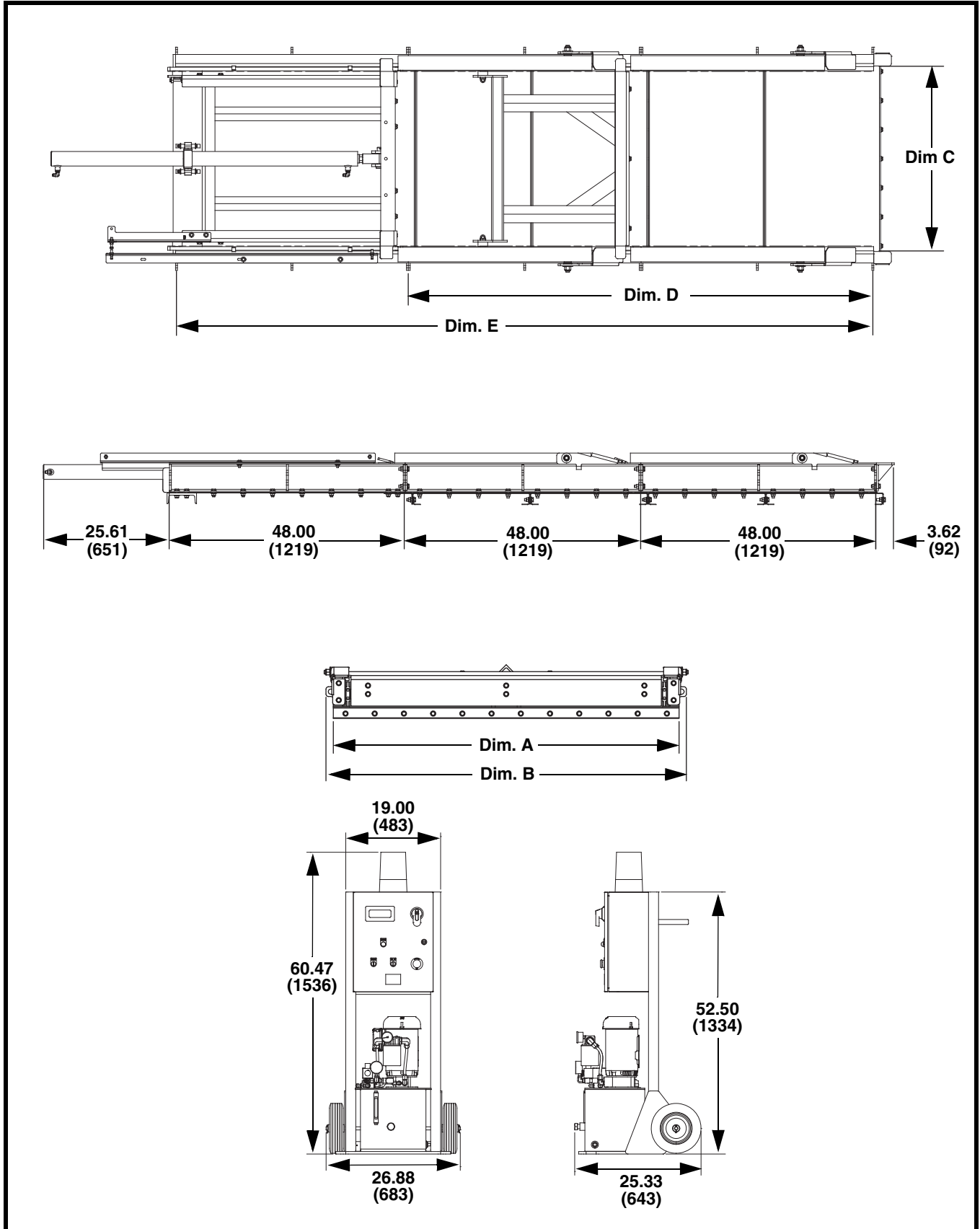
Figure 16. Pinch Point Warning Label, P/N 30528



# Appendix

## Martin® Carryback Capture System Dimensions and Specifications

Appendix



### Martin® Carryback Capture System Dimensions

**Table I. Martin® Carryback Capture System Dimensions**

<b>Part No.</b>	<b>Dim. A</b> in. (mm)	<b>Dim. B</b> in. (mm)	<b>Dim C.</b> in. (mm)
CCS-24XXXXX	31 (787)	34 (864)	26 (660)
CCS-30XXXXX	37 (940)	40 (1016)	32 (813)
CCS-36XXXXX	43 (1092)	46 (1168)	38 (965)
CCS-42XXXXX	49 (1245)	52 (1321)	44 (1118)
CCS-48XXXXX	55 (1397)	58 (1473)	50 (1270)
CCS-54XXXXX	61 (1549)	64 (1626)	56 (1422)
CCS-60XXXXX	67 (1702)	70 (1778)	62 (1575)
CCS-66XXXXX	73 (1854)	76 (1930)	68 (1727)
CCS-72XXXXX	79 (2007)	82 (2083)	74 (1880)

<b>Part No.</b>	<b>Dim. D</b> in. (mm)	<b>Dim. E</b> in. (mm)
CCS-XX08XXX	96 (2438)	144 (3658)
CCS-XX12XXX	144 (3658)	192 (4877)
CCS-XX16XXX	192 (4877)	240 (6096)
CCS-XX20XXX	240 (6096)	288 (7315)
CCS-XX24XXX	288 (7315)	336 (8534)

**Table II. Martin® Carryback Capture System Weights\***

<b>Part No.</b>	<b>CCS-XX08XXX</b> lbs	<b>CCS-XX12XXX</b> lbs	<b>CCS-XX16XXX</b> lbs	<b>CCS-XX20XXX</b> lbs	<b>CCS-XX24XXX</b> lbs
CCS-24XXXXX	1030	1388	1746	2104	2462
CCS-30XXXXX	1086	1470	1854	2238	2622
CCS-36XXXXX	1117	1505	1893	2281	2669
CCS-42XXXXX	1168	1577	1986	2395	2804
CCS-48XXXXX	1219	1649	2079	2509	2939
CCS-54XXXXX	1268	1718	2168	2618	3068
CCS-60XXXXX	1319	1790	2261	2732	3203
CCS-66XXXXX	1370	1862	2354	2846	3338
CCS-72XXXXX	1421	1934	2447	2960	3473

\*Control console weight not included.